



# WCSH27

## I<sub>p</sub>=200-1200A



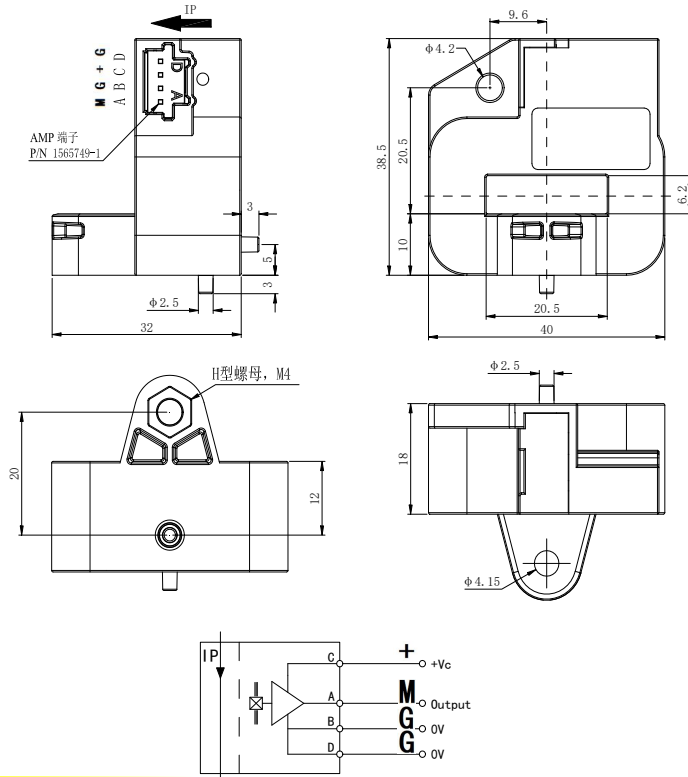
### 产品特点 Products Features

- 安装方便  
Easy mounting
- 体积小, 节省空间  
Small size and space saving
- 无插入损耗  
No insertion losses
- 抗干扰能力强  
High immunity to external interference

### 应用领域 Applications

- 交流变频驱动器  
AC variable speed drives
- 直流电机驱动静态转换器  
Static converters for DC motor drives
- 通讯电源  
Battery supplied applications
- 不间断电源 (UPS)  
Uninterruptible Power Supplies
- 开关电源 (SMPS)  
SWITCHED Mode Power Supplies
- 电动汽车  
EV Auto

### 机械尺寸 Mechanical dimension



### 机械特性 Mechanical characteristics

一般公差  
General tolerance  
± 0.5 mm

其它公差执行  
Other tolerance execution  
GB/T 1804-2000-M

固定孔尺寸  
Fixing hole size  
φ 4.15mm

紧固螺丝  
Fastening steel screw  
M4

建议紧固扭矩  
Recommended fastening torque  
1.6Nm (± 10 %)

连接器  
Connection of secondary  
TYCO品牌  
1123343-1  
1473672\_1

### 注意 Remarks

- 错误的接线可能导致传感器损坏。  
The false wiring may result in the damage of the sensor.
- I<sub>p</sub>方向与产品箭头方向一致时, 输出电压为正极。  
V<sub>OUT</sub> is positive when I<sub>p</sub> flows in the direction of the arrow.
- 当初级导体完全充满初级孔径时动态表现 (di/dt和响应时间) 为最佳效果。  
Dynamic performances (di/dt and response time) are best with a single bar completely filling the primary hole.
- 初级导体的温度不应超过100°C。  
Temperature of the primary conductor should not exceed 100° C.

## 电气参数Electrical data WCSH27

除非另有说明，否则环境参数均为@  $T_A = 25^\circ\text{C}$ ,  $R_L = 10\text{ k}\Omega$

型号 Type	WCSH27				
额定测量电流 $I_P$ Rated input	$\pm 200\text{A}$	$\pm 300\text{A}$	$\pm 500\text{A}$	$\pm 800\text{A}$	$\pm 1200\text{A}$
测量范围 $I_{PM}$ Measure range	$\pm 220\text{A}$	$\pm 330\text{A}$	$\pm 550\text{A}$	$\pm 880\text{A}$	$\pm 1200\text{A}$
额定输出电压 $V_{OUT}$ Rated output voltage	$(2.5 \pm 2) * (V_{CC}/5)\text{ V}$				
零点失调电压 $V_0$ Offset voltage	$2.5 * (V_{CC}/5)\text{ V} \pm 10\text{mV}$				
电源电压 $V_C$ Supply voltage	+5VDC ( $\pm 5\%$ )				
负载电阻 $R_M$ Load resistance	$\geq 10\text{K}\Omega$				
线性度 $\epsilon_L$ Linearity	$\leq 0.5\%FS$				
总体精度 $X$ Overall accuracy	$\pm 1\%FS$				
零点失调电压温漂 $V_{OUT}$ Offset voltage drift	$\pm 0.3\text{mV}/^\circ\text{C}$				
幅度电压温度漂移 $V_{OUT}$ Amplitude voltage temperature drift	$\leq 0.05\%/^\circ\text{C}$				
静态电流消耗 $I_C$ Current consumption	$\leq 20\text{mA}$				
响应时间 $T_R$ Response time	$< 7\mu\text{s}$				
频带宽度 $BW$ Frequency bandwidth-3db	DC~50kHz				
$di/dt$ 跟随精度 $di/dt$ accurately followed	$> 50\text{A}/\mu\text{s}$				
绝缘耐压 $V_D$ Galvanic isolation	50Hz, 1min, 3KV				
工作环境温度 $T_A$ Ambient operating temperature	$-40 \sim +125^\circ\text{C}$				
储存环境温度 $T_s$ Ambient storage temperature	$-55 \sim +125^\circ\text{C}$				
质量 $m$ Mass	$\approx 55\text{g} \pm 10\%$				
执行标准 Standards	JB/T 7490-2007				

## 定制Customized

这是一个标准的产品，需要其他规格（测量电流、电源电压、输出电压、连接器、转换比率等）请联系我们。  
This is a standard model. For different versions ( $I_P$ , supply voltages, output voltages, connection of secondary, turns ratios...), please contact us.

## 联系方式Contact information

李伟军 18576410868 www.gchsensor.com victor801@vicorv.com