



WCS63D系列

$I_p = 50 \dots 800A$



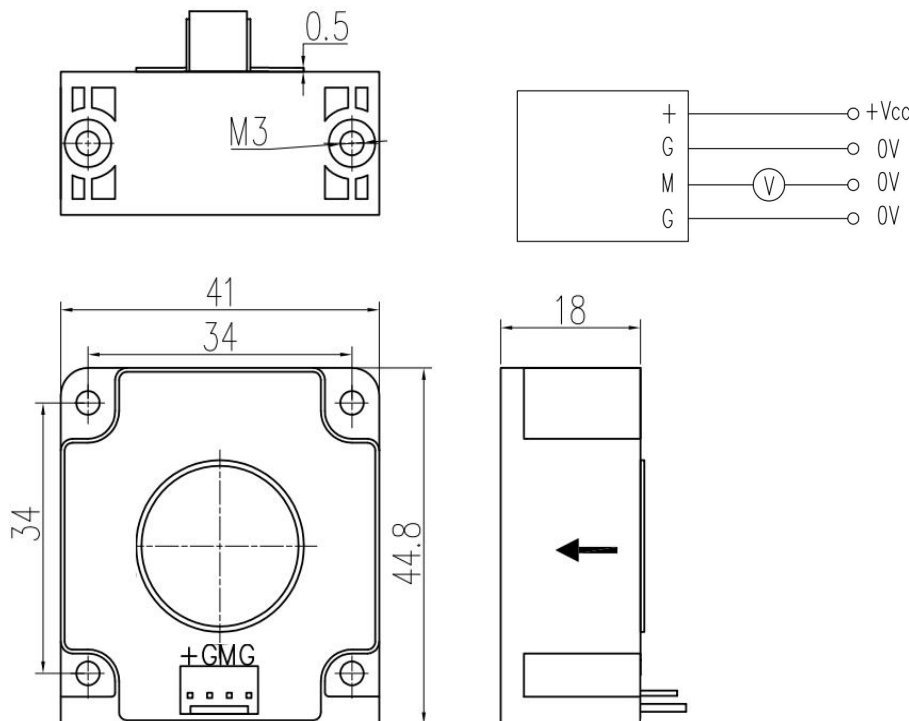
产品特点 Products Features

- 安装方便
Easy mounting
- 体积小, 节省空间
Small size and space saving
- 无插入损耗
No insertion losses
- 抗干扰能力强
High immunity to external interference

应用领域 Applications

- 交流变速驱动器
AC variable speed drives
- 直流电机驱动静态转换器
Static converters for DC motor drives
- 通讯电源
Battery supplied applications
- 不间断电源 (UPS)
Uninterruptible Power Supplies
- 开关电源 (SMPS)
SWITCHED Mode Power Supplies
- 电动汽车
EV Auto

机械尺寸 Mechanical dimension



机械特性

Mechanical characteristics

一般公差
General tolerance
 $\pm 0.5 \text{ mm}$

其它公差执行
Other tolerance execution
GB/T 1804-2000-M

固定孔尺寸
Fixing hole size
 $\Phi 3 \text{ mm} \times 4$

紧固螺丝
fastening steel screw
M3

建议紧固扭矩
Recommended fastening torque
1.5Nm ($\pm 10 \%$)

连接器
Connection of secondary
HX2510-4A

注意 Remarks

- 错误的接线可能导致传感器损坏。
The false wiring may result in the damage of the sensor.
- I_p 方向与产品箭头方向一致时, 输出电压为正极。
 V_{OUT} is positive when I_p flows in the direction of the arrow.
- 当初级导体完全充满初级孔径时动态表现 (di/dt 和响应时间) 为最佳效果。
Dynamic performances (di/dt and response time) are best with a single bar completely filling the primary hole.
- 初级导体的温度不应超过 100°C 。
Temperature of the primary conductor should not exceed 100°C .

电气参数Electrical data WCS63D-xxxA除非另有说明，否则环境参数均为@ $T_A = 25^\circ\text{C}$, $R_L = 10\text{ k}\Omega$

型号 Type	WCS63D- 50A	WCS63D- 100A	WCS63D- 200A	WCS63D- 500A	WCS63D- 800A
额定测量电流 I_P Rated input	$\pm 50\text{A}$	$\pm 100\text{A}$	$\pm 200\text{A}$	$\pm 500\text{A}$	$\pm 800\text{A}$
测量范围 I_{PM} Measure range	$\pm 55\text{A}$	$\pm 110\text{A}$	$\pm 220\text{A}$	$\pm 550\text{A}$	$\pm 880\text{A}$
额定输出电压 V_{OUT} Rated output voltage	$(2.5 \pm 2) * (V_{CC}/5)\text{ V}$				
零点失调电压 V_0 Offset voltage	$2.5 * (V_{CC}/5)\text{ V} \pm 10\text{mV}$				
电源电压 V_C Supply voltage	$+5\text{VDC} (\pm 5\%)$				
负载电阻 R_M Load resistance	$\geq 10\text{K}\Omega$				
线性度 ϵ_L Linearity	$\leq 0.5\%FS$				
总体精度 X Overall accuracy	$\pm 1\%FS (@ T_A = 25^\circ\text{C})$				
零点失调电压温漂 V_{OUT} Offset voltage drift	$\pm 0.2\text{mV}/^\circ\text{C}$				
幅度电压温度漂移 V_{OUT} Amplitude voltage temperature drift	$\leq 0.05\%/^\circ\text{C}$				
静态电流消耗 I_C Current consumption	$\leq 20\text{mA}$				
响应时间 $T_R @ 90\%$ Response time	$< 10\mu\text{s}$				
频带宽度 BW Frequency bandwidth-3db	$\text{DC} \sim 30\text{kHz}$				
di/dt 跟随精度 di/dt accurately followed	$> 50\text{A}/\mu\text{s}$				
绝缘耐压 V_D Galvanic isolation	$50\text{Hz}, 1\text{min}, 3\text{KV}$				
工作环境温度 T_A Ambient operating temperature	$-40 \sim +105^\circ\text{C}$				
储存环境温度 T_s Ambient storage temperature	$-40 \sim +105^\circ\text{C}$				
质量 m Mass	$\approx 40\text{g}$				
执行标准 Standards	$\text{JB/T } 7490-2007$				

定制Customized

这是一个标准的产品，需要其他规格（测量电流、电源电压、输出电压、连接器、转换比率等）请联系我们。

This is a standard model. For different versions (I_P , supply voltages, output voltages, connection of secondary, turns ratios...), please contact us.**联系方式Contact information**

李伟军 18576410868 www.gchsensorm.com victor801@vicorv.com