



WCS22D

I_p=200...800A



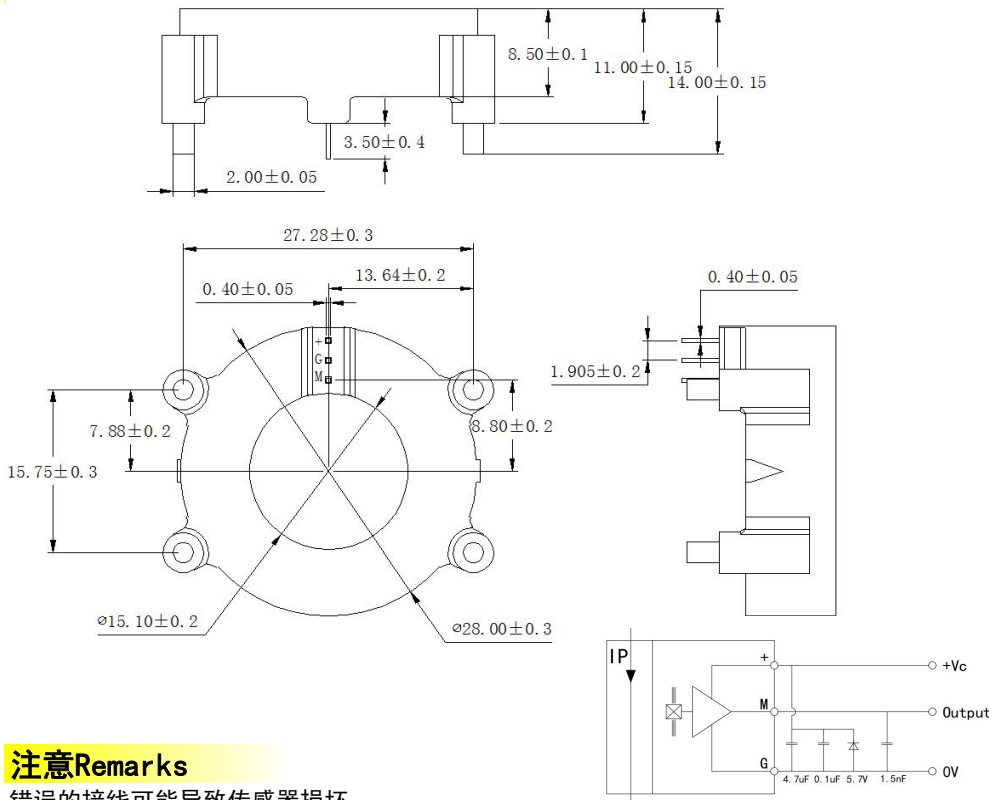
产品特点 Products Features

- 安装方便
Easy mounting
- 体积小，节省空间
Small size and space saving
- 无插入损耗
No insertion losses
- 抗干扰能力强
High immunity to external interference

应用领域 Applications

- 直流电机驱动静态转换器
Static converters for DC motor drives
- 通讯电源
Battery supplied applications
- 不间断电源 (UPS)
Uninterruptible Power Supplies
- 开关电源 (SMPS)
SWITCHED Mode Power Supplies
- 电焊机
Power supplies for welding applications

机械尺寸 Mechanical dimension



机械特性

Mechanical characteristics

一般公差
General tolerance
± 0.5 mm

其它公差执行
Other tolerance execution
GB/T 1804-2000-M

固定针尺寸
Fixing hole size
φ 1.905mm (×3)

连接器
Connection of secondary
0.4mm×0.4mm (×3)

建议焊接温度
Recommended wave soldering temperature
265°C±5°C

注意 Remarks

- 错误的接线可能导致传感器损坏。
The false wiring may result in the damage of the sensor.
- I_p方向与产品箭头方向一致时，输出电压为正极。
V_{OUT} is positive when I_p flows in the direction of the arrow.
- 当初级导体完全充满初级孔时动态表现（di/dt和响应时间）为最佳效果。
Dynamic performances (di/dt and response time) are best with a single bar completely filling the primary hole.
- 初级导体的温度不应超过100°C。
Temperature of the primary conductor should not exceed 100° C.

电气参数 Electrical data WCS22D

除非另有说明，否则环境参数均为@ T_A = 25°C, R_L = 10 kΩ

型号 Type	WCS22D-XXXXA				
额定测量电流 I _P Rated input	200A	300A	500A	600A	800A
测量范围 I _{PM} Measure range	220A	330A	550A	660A	880A
额定输出电压 V _{OUT} Rated output voltage	1/2V _C ±2.0V				
零点失调电压 V ₀ Offset voltage	1/2V _C ±10mV				
电源电压 V _C Supply voltage	+5VDC (± 5%)				
负载电阻 R _M Load resistance	≥10KΩ				
线性度 ε _L Linearity	≤0.5%FS				
总体精度 X Overall accuracy	±1%FS				
零点失调电压温漂 V _{OUT} Offset voltage drift	±0.5mV/°C				
幅度电压温度漂移 V _{OUT} Amplitude voltage temperature drift	≤0.05%/°C				
静态电流消耗 I _C Current consumption	≤20mA				
响应时间 T _R Response time	<7us				
频带宽度 BW Frequency bandwidth-3db	DC~50KHz				
di/dt 跟随精度 di/dt accurately followed	>50A/us				
绝缘耐压 V _D Galvanic isolation	50Hz, 1min, 3KV				
工作环境温度 T _A Ambient operating temperature	-40~+125°C				
储存环境温度 T _S Ambient storage temperature	-40~+125°C				
质量 m Mass	≈20g				
执行标准 Standards	JB/T 7490-2007				

定制 Customized

这是一个标准的产品，需要其他规格（测量电流、电源电压、输出电压、连接器、转换比率等）请联系我们。
This is a standard model. For different versions (IP, supply voltages, output voltages, connection of secondary, turns ratios...), please contact us.

联系方式 Contact information

李伟军 18576410868 www.gchsensorm.com victor801@vicorv.com