



WCS16A

I_p = 200...2000A



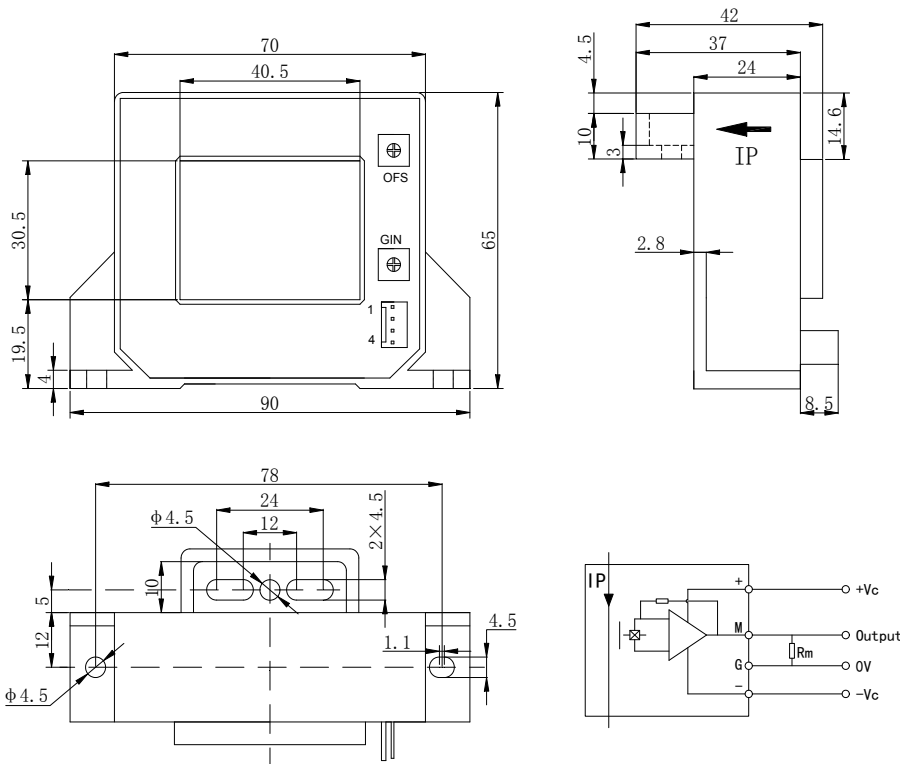
产品特点 Products Features

- 安装方便
Easy mounting
- 体积小, 节省空间
Small size and space saving
- 无插入损耗
No insertion losses
- 抗干扰能力强
High immunity to external interference

应用领域 Applications

- 直流电机驱动静态转换器
Static converters for DC motor drives
- 通讯电源
Battery supplied applications
- 不间断电源 (UPS)
Uninterruptible Power Supplies
- 开关电源 (SMPS)
SWITCHED Mode Power Supplies
- 电焊机
Power supplies for welding applications

机械尺寸 Mechanical dimension



机械特性 Mechanical characteristics

- 一般公差
General tolerance
± 0.5 mm
- 其它公差执行
Other tolerance execution
GB/T 1804-2000-M
- 固定孔尺寸
Fixing hole size
Φ 4.5mm
- 紧固螺丝
Fastening steel screw
M4
- 建议紧固扭矩
Recommended fastening torque
1.5Nm (± 10 %)
- 连接器
Connection of secondary
HX25405-4A

注意 Remarks

错误的接线可能导致传感器损坏。
The false wiring may result in the damage of the sensor.
I_p方向与产品箭头方向一致时, 输出电压为正极。
V_{OUT} is positive when I_p flows in the direction of the arrow.
当初级导体完全充满初级孔径时动态表现 (di/dt和响应时间) 为最佳效果。
Dynamic performances (di/dt and response time) are best with a single bar completely filling the primary hole.
初级导体的温度不应超过100°C。
Temperature of the primary conductor should not exceed 100° C.

电气参数Electrical data WCS16A-xxxA除非另有说明，否则环境参数均为@ $T_A = 25^\circ\text{C}$, $R_L = 10\text{ k}\Omega$

型号 Type	WCS16A- 200A	WCS16A- 500A	WCS16A- 1000A	WCS16A- 1500A	WCS16A- 2000A
额定测量电流 I_P Rated input	200A	500A	1000A	1500A	2000A
测量范围 I_{PM} Measure range	600A	1500A	3000A	3000A	3000A
额定输出电压 V_{OUT} Rated output voltage	$\pm 4V$				
零点电压 V_{off} Offset voltage	$\pm 20mV$				
零点失调电压温漂 V_{OUT} Offset voltage drift	$\pm 0.5mV/^\circ\text{C}$				
幅度电压温度漂移 V_{OUT} Amplitude voltage temperature drift	$\leq 0.1\%/^\circ\text{C}$				
电源电压 V_C Supply voltage	$\pm 12VDC \sim \pm 15VDC (\pm 5\%)$				
负载电阻 R_M Load resistance	$\geq 10K\Omega$				
线性度 ϵ_L Linearity	$\leq 1\%FS$				
总体精度 X Overall accuracy	$\pm 1\%FS$				
静态电流消耗 I_C Current consumption	$\leq 20mA$				
响应时间 T_R Response time	$< 7\mu s$				
频带宽度 BW Frequency bandwidth-3db	$DC \sim 25KHz$				
di/dt 跟随精度 di/dt accurately followed	$> 50A/\mu s$				
绝缘耐压 V_D Galvanic isolation	50Hz, 1min, 5KV				
工作环境温度 T_A Ambient operating temperature	$-25 \sim +85^\circ\text{C}$				
储存环境温度 T_s Ambient storage temperature	$-40 \sim +95^\circ\text{C}$				
质量 m Mass	$\approx 250g$				
执行标准 Standards	JB/T 7490-2007				

定制Customized

这是一个标准的产品，需要其他规格（测量电流、电源电压、输出电压、连接器、转换比率等）请联系我们。

This is a standard model. For different versions (I_P , supply voltages, output voltages, connection of secondary, turns ratios...), please contact us.**联系方式Contact information**

李伟军18576410868www.gchsensormvictor801@vicorv.com