



WCS12B

Ip=500A



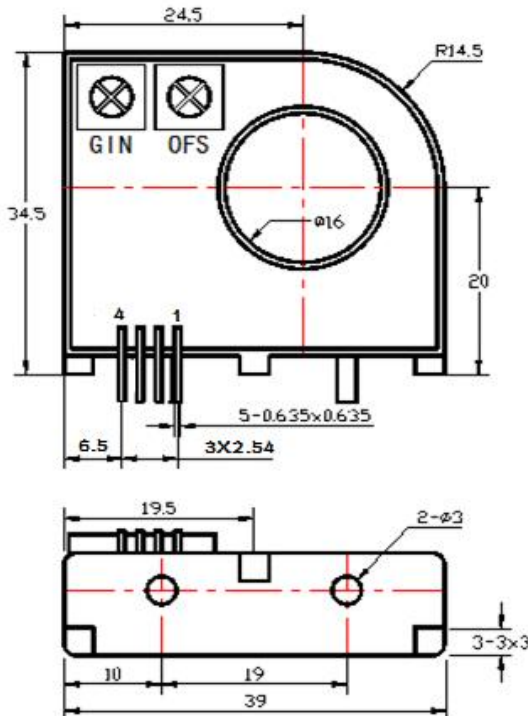
产品特点 Products Features

- 安装方便
Easy mounting
- 体积小, 节省空间
Small size and space saving
- 无插入损耗
No insertion losses
- 抗干扰能力强
High immunity to external interference

应用领域 Applications

- 交流变频驱动器
AC variable speed drives
- 直流电机驱动静态转换器
Static converters for DC motor drives
- 通讯电源
Battery supplied applications
- 不间断电源 (UPS)
Uninterruptible Power Supplies
- 开关电源 (SMPS)
SWITCHED Mode Power Supplies
- 电焊机
Power supplies for welding applications

机械尺寸 Mechanical dimension



引脚功能定义

PIN	
1	+15V
2	-15V
3	OUT
4	GND

机械特性

Mechanical characteristics

一般公差
General tolerance
± 0.5 mm

其它公差执行
Other tolerance execution
GB/T 1804-2000-M

1-4固定针尺寸
1-4 Fixing hole size
0.64mm×0.64mm (×4)

5-6固定针尺寸
5-6 Fixing hole size
φ 3.0

建议焊接温度
Recommended wave soldering temperature
265°C ± 5°C

注意 Remarks

- 错误的接线可能导致传感器损坏。
The false wiring may result in the damage of the sensor.
- Ip方向与产品箭头方向一致时, 输出电压为正极。
VOUT is positive when IP flows in the direction of the arrow.
- 当初级导体完全充满初级孔径时动态表现 (di/dt和响应时间) 为最佳效果。
Dynamic performances (di/dt and response time) are best with a single bar completely filling the primary hole.
- 初级导体的温度不应超过130°C。
Temperature of the primary conductor should not exceed 130° C.

电气参数Electrical data WCS12B-XXXX除非另有说明，否则环境参数均为@ $T_A = 25^{\circ}\text{C}$, $R_L = 10\text{ k}\Omega$

型号 Type	WCS12B-75A	WCS12B-150A
额定测量电流 I_{PN} Rated input	$\pm 75\text{A}$	$\pm 150\text{A}$
测量范围 I_{PM} Measure range	$\pm 225\text{A}$	$\pm 450\text{A}$
额定输出电压 V_{OUT} Rated output voltage	$\pm 4\text{V}$	
零点失调电压 V_0 Offset voltage	$\pm 20\text{mV}$	
电源电压 V_C Supply voltage	$\pm 15\text{V DC} (\pm 5\%)$	
负载电阻 R_M Load resistance	$\geq 10\text{K}\Omega$	
线性度 ϵ_L Linearity	$\leq 0.5\%FS$	
总体精度 X Overall accuracy	$\pm 1\%FS$	
零点失调电压温漂 V_{OUT} Offset voltage drift	$\pm 0.5\text{mV}/^{\circ}\text{C}$	
幅度电压温度漂移 V_{OUT} Amplitude voltage temperature drift	$\leq 0.1\%/^{\circ}\text{C}$	
静态电流消耗 I_C Current consumption	$\leq \pm 20\text{mA}$	
响应时间 T_R Response time	$< 5\mu\text{s}$	
频带宽度 BW Frequency bandwidth-3db	DC-20KHz	
di/dt跟随精度 di/dt accurately followed	$> 25\text{A}/\mu\text{s}$	
绝缘耐压 V_D Galvanic isolation	50Hz, 1min, 2.5KV	
工作环境温度 T_A Ambient operating temperature	$-20\sim+85^{\circ}\text{C}$	
储存环境温度 T_s Ambient storage temperature	$-25\sim+95^{\circ}\text{C}$	
质量 m Mass	$\approx 30\text{g}$	
执行标准 Standards	JB/T 7490-2007	

定制Customized

这是一个标准的产品，需要其他规格（测量电流、电源电压、输出电压、连接器、转换比率等）请联系我们。
This is a standard model. For different versions (IP, supply voltages, output voltages, connection of secondary, turns ratios...), please contact us.

联系方式Contact information

李伟军18576410868victor801@vicorv.com