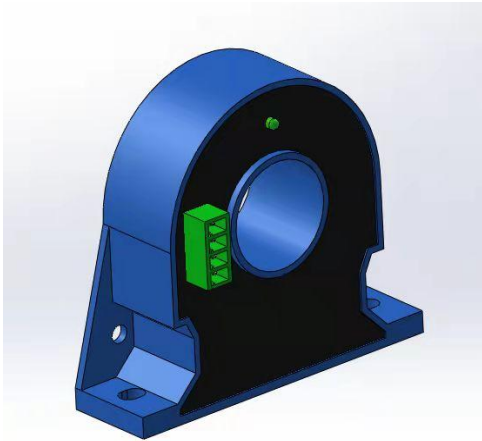




# WCL59

## I<sub>p</sub>=3A



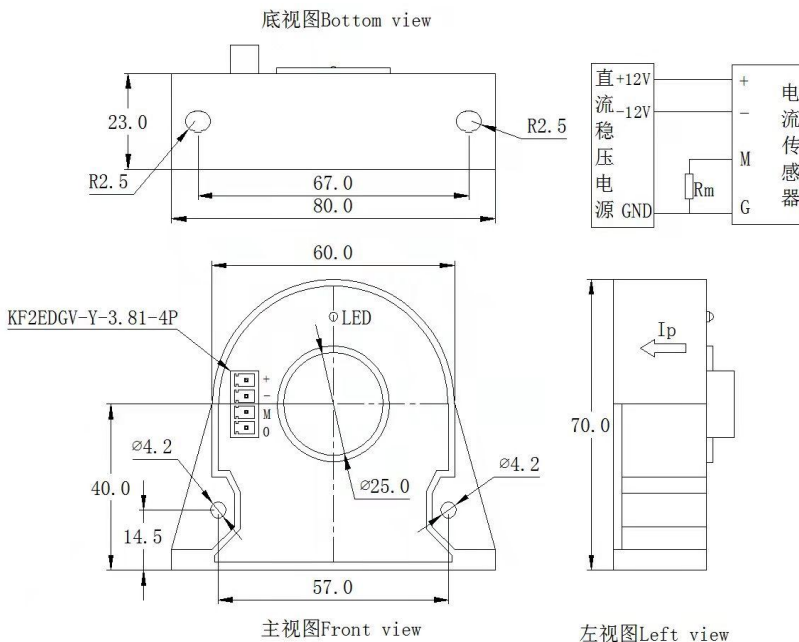
### 产品特点 Products Features

- 安装方便  
Easy mounting
- 体积小，节省空间  
Small size and space saving
- 无插入损耗  
No insertion losses
- 抗干扰能力强  
High immunity to external interference

### 应用领域 Applications

- 直流电机驱动静态转换器  
Static converters for DC motor drives
- 通讯电源  
Battery supplied applications
- 不间断电源 (UPS)  
Uninterruptible Power Supplies
- 开关电源 (SMPS)  
SWITCHED Mode Power Supplies
- 电焊机  
Power supplies for welding applications

### 机械尺寸 Mechanical dimension



### 机械特性 Mechanical characteristics

一般公差  
General tolerance  
± 0.5 mm

其它公差执行  
Other tolerance execution  
GB/T 1804-2000-M

固定孔尺寸  
Fixing hole size  
Φ 6mm

紧固螺丝  
Fastening steel screw  
M5.5

建议紧固扭矩  
Recommended fastening torque  
1.5Nm (± 10 %)

连接器  
Connection of secondary  
KF2EDGV-X-5.08-4P

### 注意 Remarks

- 错误的接线可能导致传感器损坏。  
The false wiring may result in the damage of the sensor.
- I<sub>p</sub>方向与产品箭头方向一致时，输出电压为正极。  
V<sub>OUT</sub> is positive when I<sub>P</sub> flows in the direction of the arrow.
- 当初级导体完全充满初级孔径时动态表现 (di/dt和响应时间) 为最佳效果。  
Dynamic performances (di/dt and response time) are best with a single bar completely filling the primary hole.
- 初级导体的温度不应超过100°C。  
Temperature of the primary conductor should not exceed 100° C.

**电气参数Electrical data**      **WCL59-3A**除非另有说明，否则环境参数均为@  $T_A = 25^{\circ}\text{C}$ ,  $R_L = 10\text{ k}\Omega$ 

型号 Type	WCL59-3A
额定测量电流 $I_P$ Rated input	3A
测量范围 $I_{PM}$ Measure range	3.3A
额定输出电压 $V_{OUT}$ Rated output voltage	$\pm 5\text{V}$
零点电压 $V_{off}$ Offset voltage	$\pm 10\text{mV}$
零点失调电压温漂 $V_{OUT}$ Offset voltage drift	$\pm 1\text{mV}/^{\circ}\text{C}$
幅度电压温度漂移 $V_{OUT}$ Amplitude voltage temperature drift	$\leq 0.05\%/^{\circ}\text{C}$
电源电压 $V_C$ Supply voltage	$\pm 15\text{VDC}$ ( $\pm 5\%$ )
负载电阻 $R_M$ Load resistance	$\geq 10\text{K}\Omega$
线性度 $\epsilon_L$ Linearity	$\leq 1\%\text{FS}$
总体精度 $X$ Overall accuracy	$\pm 1\%\text{FS}$
静态电流消耗 $I_C$ Current consumption	$\leq 30\text{mA}$
分辨率 Resolving power	$\pm 2\text{mA}$
频带宽度 $BW$ Frequency bandwidth-3db	DC
响应时间 $T_R$ Response time	$< 350\text{ms}$
绝缘耐压 $V_D$ Galvanic isolation	50Hz, 1min, 5KV
工作环境温度 $T_A$ Ambient operating temperature	$-20\sim+85^{\circ}\text{C}$
储存环境温度 $T_s$ Ambient storage temperature	$-25\sim+85^{\circ}\text{C}$
质量 $m$ Mass	$\approx 250\text{g}$
执行标准 Standards	JB/T 7490-2007

**定制Customized**

这是一个标准的产品，需要其他规格（测量电流、电源电压、输出电压、连接器、转换比率等）请联系我们。  
This is a standard model. For different versions ( $I_P$ , supply voltages, output voltages, connection of secondary, turns ratios...), please contact us.

**联系方式Contact information**

李伟军 18576410868 www.gchsensord.com victor801@vicorv.com